

Landscape Products

Polymer concrete solutions

Splash Blocks



Accures splash blocks make an attractive durable addition to any landscape. Splash blocks protect your landscape investment from rainwater erosion.

Sizes: 24" & 30"

Colors: Grey Granite, Sandstone, Red Limestone & Natural Stone

Stepping Stones

Accures stepping stones are easy to install and provide a custom appearance. Made with natural local materials they provide a charming alternative to basic grey concrete.

Sizes: 18" & 24" Square

Colors: Grey Granite, Sandstone, Red Limestone & Natural Stone

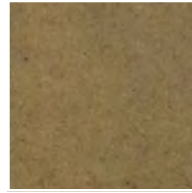


Product Information

Benefits

- Extended product life saves you money
- Increased durability
- Aesthetically superior to concrete & plastic
- Lighter weight than traditional concrete

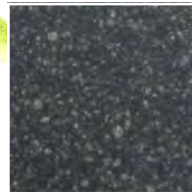
Color Selections



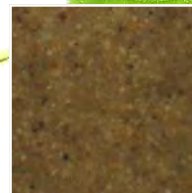
Sandstone



Red Limestone



Grey Granite

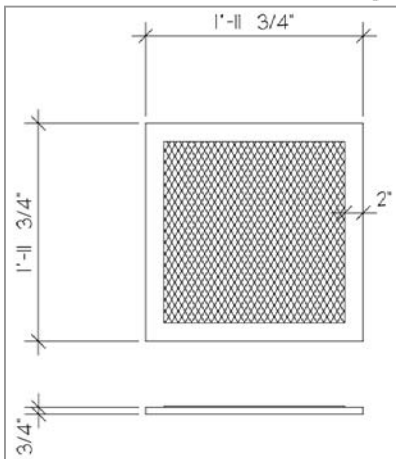


Natural Stone

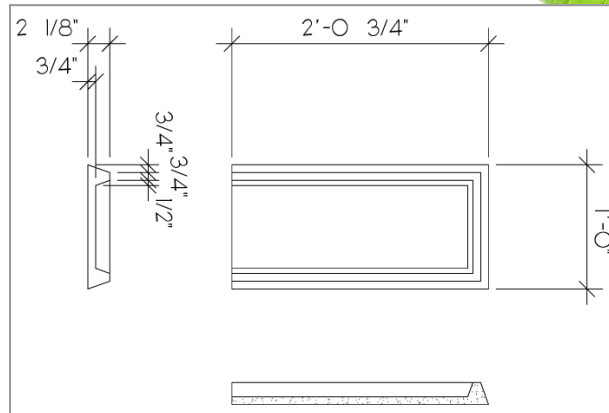
All Accures landscape products are made of epoxy resin combined with natural aggregate. Our natural colors are designed to coordinate with most exteriors.

Custom mix designs are always available, upon request.

Detail Drawings



Stepping Stones 24"



Splash Block 24"

Characteristics

- High tensile, flexural & compressive strength
- Chemical Resistance
- Waterproof
- Less susceptible to chips & cracks
- Natural stone that will not fade
- Corrosion resistant
- Reduced permeability
- No freeze-thaw damage



Available exclusively at
Sidley Builders' Centers